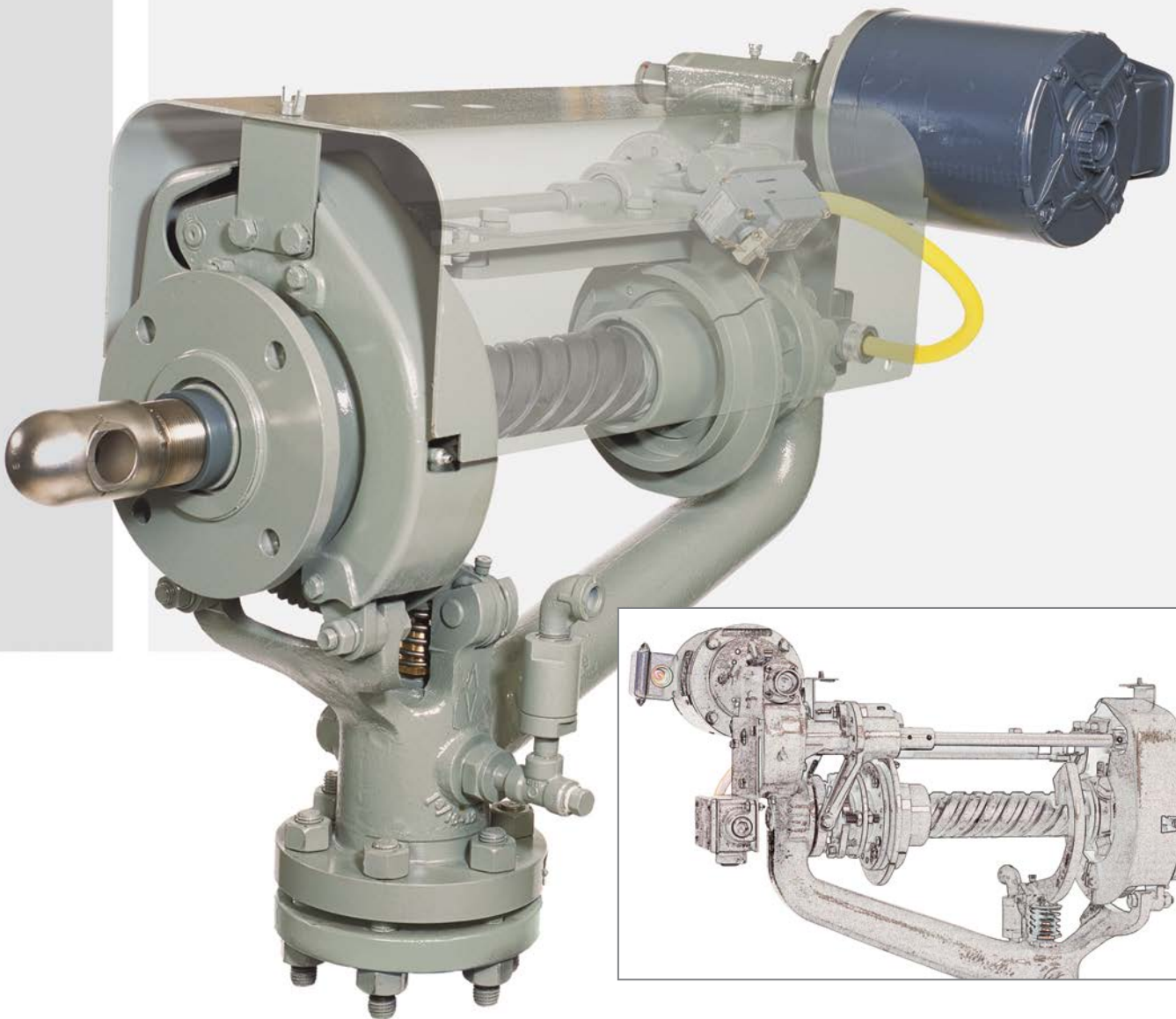


Diamond Power® IR-3Z™

Furnace wall sootblower



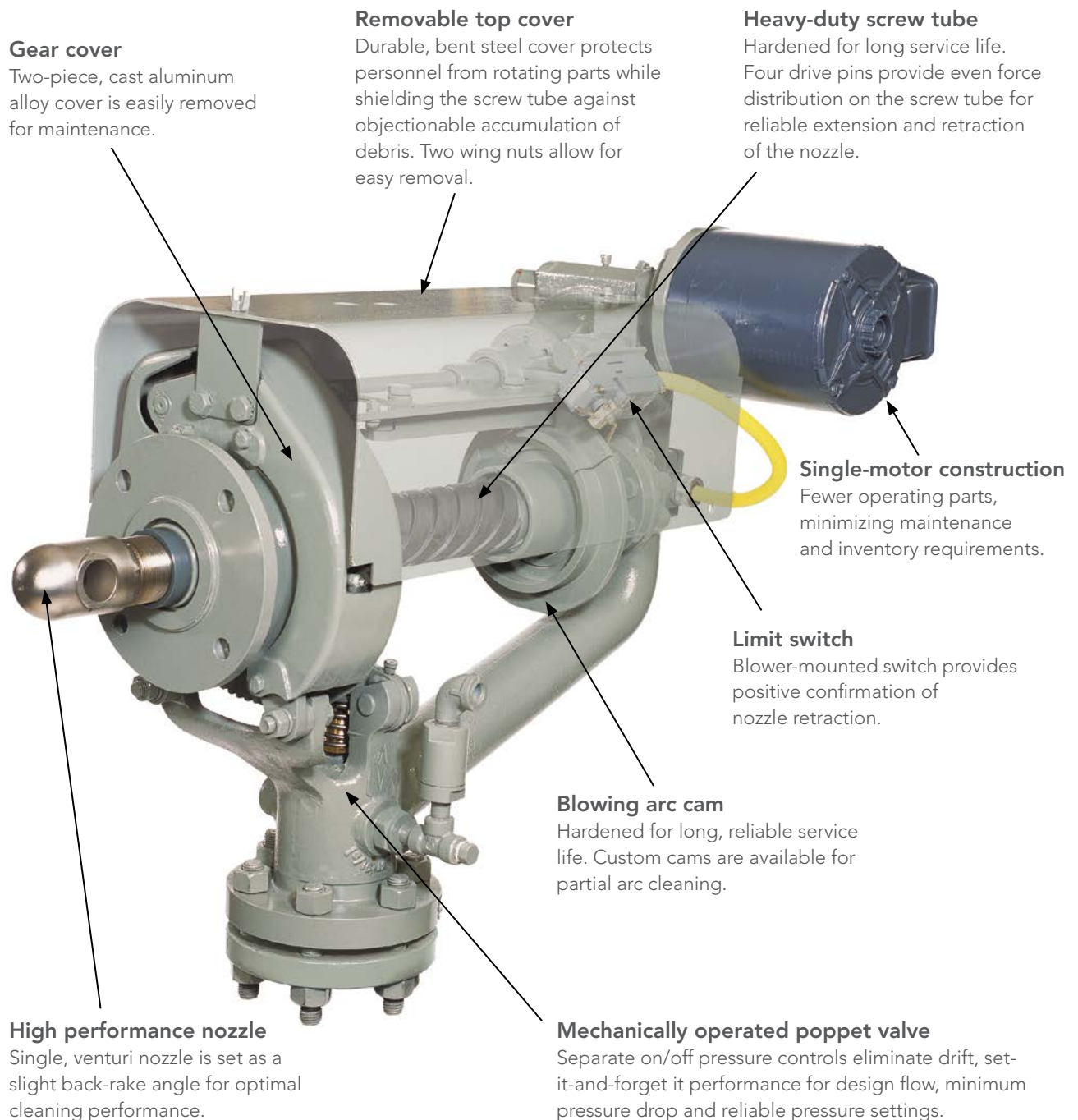
ENERGY | ENVIRONMENTAL

IR-3Z™ furnace wall sootblower

Lightweight, compact and durable design that fits and operates where most won't.

Timing is everything. Especially when it comes to boiler cleaning. But who wants to mess around with complex mechanisms and numerous components just to set correct blower timing? You don't have to with the Diamond Power® IR-3Z™ furnace wall sootblower, provided by Babcock & Wilcox (B&W).

Other short, retractable wall blowers get out of time and may not clean the full 360-degree rotation, leaving furnace wall water tubes dirty and heat transfer inefficient. The IR-3Z wall blower, however, does not require electrical timing to achieve the blowing arc needed to obtain accurate, dependable, 360-degree cleaning.



■ Features and Benefits

The rugged IR-3Z wall blower builds on the proven reliability of the IR-3D heavy duty sootblower while providing further simplification: four gears, a single limit switch, and a separately mounted control box, all of which contribute to a reliable and rugged design. This blower is small enough to fit into tight spots.

When maintenance is required, the light and easy design saves on both man hours and replacement parts.

A single bolt and one coupling pin is all that is required for access to the drive unit. Removal of the motor and gear reducer can be accomplished by one person.

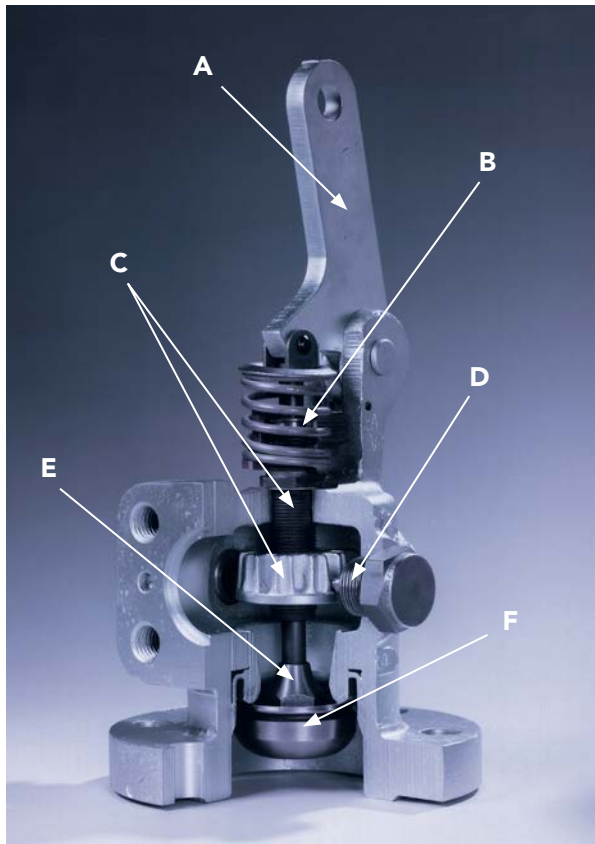
With a quick adjustment of a time delay relay (located in the separately mounted control box), the IR-3Z sootblower can be set as needed for single or multiple revolutions per blowing cycle.

The blowing medium (steam/air) flow is mechanically delayed until the nozzle is fully inserted into the furnace. This design minimizes wall sleeve changes due to premature operation and reduces erosion to nearby bent tubes. Steam/air flow turns off before the nozzle begins to retract.

The IR-3Z is also ideally suited for high temperature locations. The control box may be mounted anywhere, and keeps electronic components (and operating personnel) away from the heat source.

■ Poppet Valve

- A** Direct mechanical valve action
- B** Rugged stem, hardened valve stem guide, and generous packing surface for minimum maintenance
- C** Micrometer-like adjustment for very close regulation at low flow rates
- D** Lock pin to hold pressure setting
- E** Welded-in polished valve seat is hydrotested to prevent leakage between the seat and body
- F** Floating valve disc assures tight seating every time



Specifications

Blower coverage	Local push-button (on separately mounted control box) or automatic control panel operation; 360° or partial arc cleaning
Blower travel	10.5 in. (26.7 cm) standard; Adjusts from 10 in. (25.4 cm) minimum to 11 in. (27.94 cm) maximum
Blowing medium valve (steam or air)	Diamond Power® mechanically operated poppet valve, integral to sootblower
Blowing pressure	As required for ash deposits and fuel burned
Blowing revolutions, blowing time and cycle time	Set for single or multiple revolutions per blowing cycle; Actual blowing time: 20 sec Total cycle time for one blowing revolution: 1 min 46 sec (using a 60 Hz motor) Sequence "nesting" allows more frequent operations as required
Control box	Ready to mount on the sootblower or remotely; NEMA rated with push-button start Choose starter or terminal box; Available in: carbon steel (NEMA 4), fiberglass (NEMA 4X) and stainless steel (NEMA 4X)
Control box accessories	Power, control or combination disconnect plugs, power disconnect switches, non-standard terminal blocks, and push buttons
Limit switch	A single, lever-actuated limit switch; Temperature rated to 250F (121C)
Motor data	Electric motor drive: 1/6 hp, TENV, frame 56, 1725 rpm, 230/460 volts, 3-phase, 60 Hz; Other voltages and frequencies available
Motor starter	Mounts in a separate box or common cabinet; Choice of IEC or NEMA
Nozzle material	Heat-resistant, austenitic stainless steel casting
Nozzle rotation speed	Approximately 3 rpm
Power disconnect plug or switch	Available for indoor or outdoor service
Retrofit kits	Convert timing gear controls to IR-3Z wall blower controls
Time-delay relay	Located in separately mounted control box; Push-and-click number buttons and 0.1-second incremental settings on the adjustable, time-delay relay provide precise timing
Weight	Blower without control box weighs approximately 225 lb (102 kg)

The Babcock & Wilcox Company

1200 E Market Street, Suite 650
Akron, Ohio, U.S.A. 44305
Phone: +1 330.753.4511

www.babcock.com    

The information contained herein is provided for general information purposes only and is not intended nor to be construed as a warranty, an offer, or any representation of contractual or other legal responsibility.

Diamond Power and *IR-3Z* are trademarks of The Babcock & Wilcox Company.



ENERGY | ENVIRONMENTAL

Established in 1867, Babcock & Wilcox is a global leader in advanced energy and environmental technologies and services for the power, industrial and renewable markets.

For more information or to contact us, visit our website at www.babcock.com.