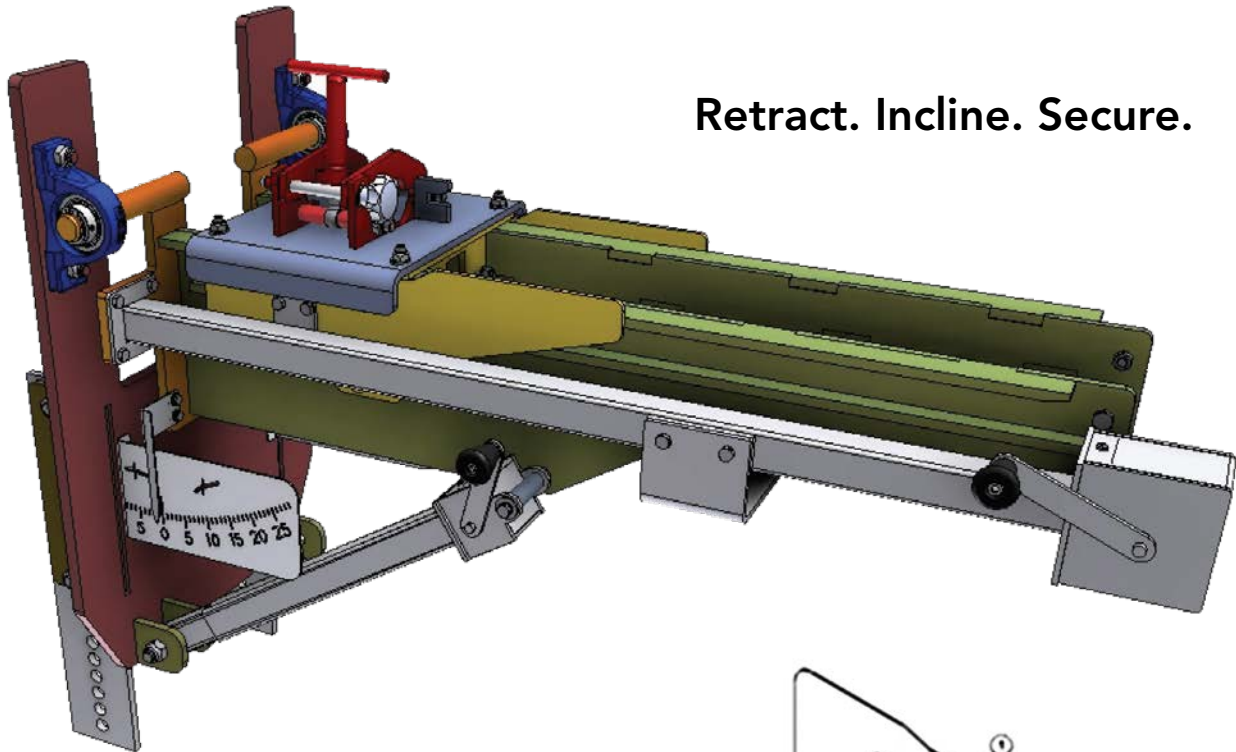


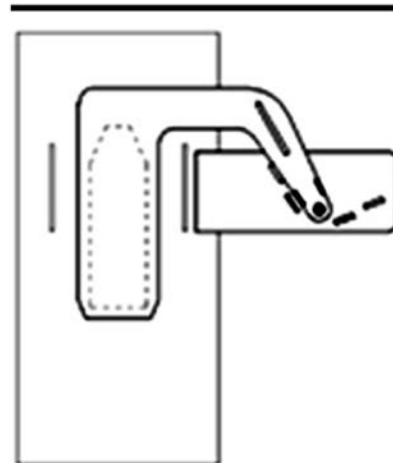
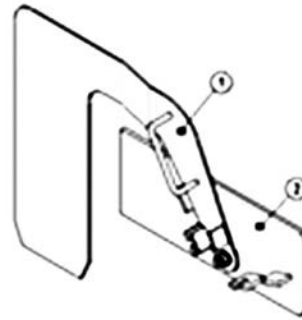
# Diamond Power® Dual Rail Liquor Gun Station



**Retract. Incline. Secure.**

Proper liquor gun positioning is a common challenge in recovery boiler operations. Positioning of the liquor gun is critical for optimum overall black liquor firing. Special precautions are often necessary when servicing liquor systems while in operation.

The Diamond Power® Dual Rail liquor gun station (LGS), provided by Babcock & Wilcox (B&W), is engineered to address these concerns and provides easy tool-free and safe adjustment of gun depth, as well as gun inclination, while the equipment is online. Two self-locking crank handles facilitate setting of gun depth and gun positioning with the gun still secured on the clamp plate, making routine work fast and risk free and reduces personnel risk in a known hazardous area. The retraction assembly and integrated liquor port cover plate facilitate local routine and service maintenance without exposure to the radiant heat and upsets from inside the furnace.

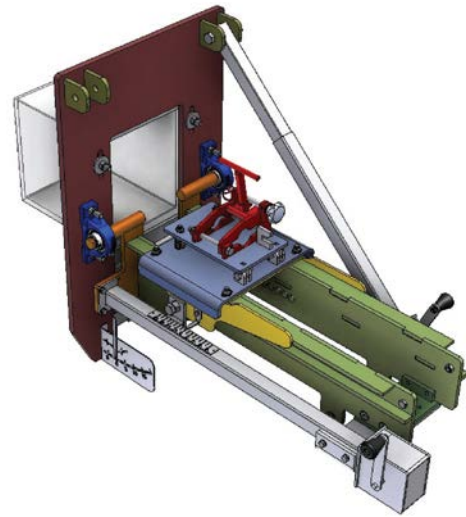


*Liquor port cover plate with fastener. Fastener has two metal tabs defining open and closed position; the latter will have a hard wired limit switch with cable mounted to it.*

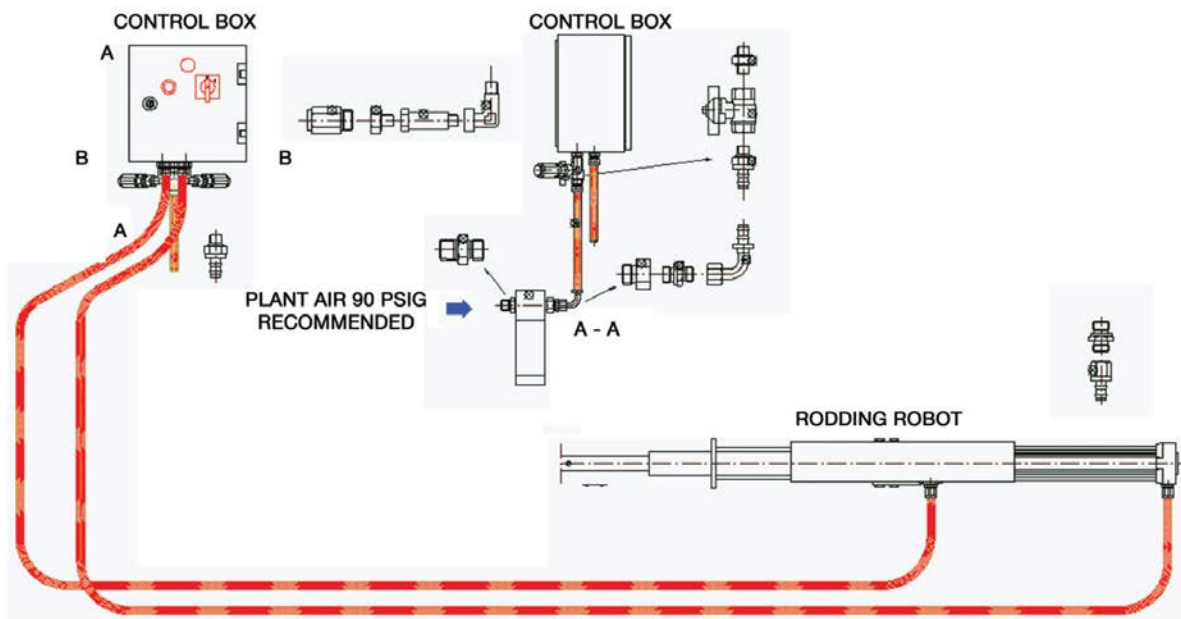
(Continued on reverse side)

## Features and benefits

- Accurate and repeatable angle settings
- Adjustable depth settings
- Low maintenance requirements
- Robust dual rack platform with retractable trolley
- Optional SprayRod™ liquor gun cleaner for retaining good spray pattern at all times
- Durable design made to withstand harsh operating environments
- Integrated liquor port cover plate with limit switches for interlock function
- Adapted for easy integration of automatic liquor gun cleaning
- Utilizes existing liquor gun and mounts onto all types of recovery boilers
- Easy to install, no tube welds needed
- Custom made gun clamp adapted for your liquor gun



Dual Rail liquor gun holder mounted onto boiler wall.



Optional integrated rodder for liquor gun nozzle cleaning. The rodder package comprises rodder, control box with timer, filter unit and all necessary hoses and fittings. The rodder cutting head is specially designed according to the shape and size of the nozzle being used.

## The Babcock & Wilcox Company

1200 E Market Street, Suite 650  
Akron, Ohio, U.S.A. 44305  
Phone: +1 330.753.4511

[www.babcock.com](http://www.babcock.com)    

The information contained herein is provided for general information purposes only and is not intended nor to be construed as a warranty, an offer, or any representation of contractual or other legal responsibility.

Diamond Power and SprayRod are trademarks of The Babcock & Wilcox Company.



RENEWABLE | ENVIRONMENTAL | THERMAL

Established in 1867, Babcock & Wilcox is a global leader in renewable, environmental and thermal technologies and services for power and industrial applications.

For more information or to contact us, visit our website at [www.babcock.com](http://www.babcock.com).