

Rothemuhle Air Heater Sootblower Spherical Swivel Joints

Purpose

This bulletin advises owners and operators of the possibility that cap screws may come loose.

Problem

Cap screws in spherical swivel connections may back out and be carried to the manifold. Thus, it is possible that these cap screws could lodge in manifold nozzles, reducing sootblower effectiveness.

Recommendations

Spherical swivel joints should be disassembled, cap screws inspected and any missing ones replaced.

All cap screws should be tightened and welded at two points 180 degrees from each other. Refer to Figure 1 for weld details.

If any cap screws are found missing, all sootblower manifold nozzles should be checked to make sure they are free of any obstructions. If any nozzles are removed, make sure they are retightened and welded.

Support

If any problems are encountered, contact Babcock & Wilcox Field Service Engineering for further information or assistance.

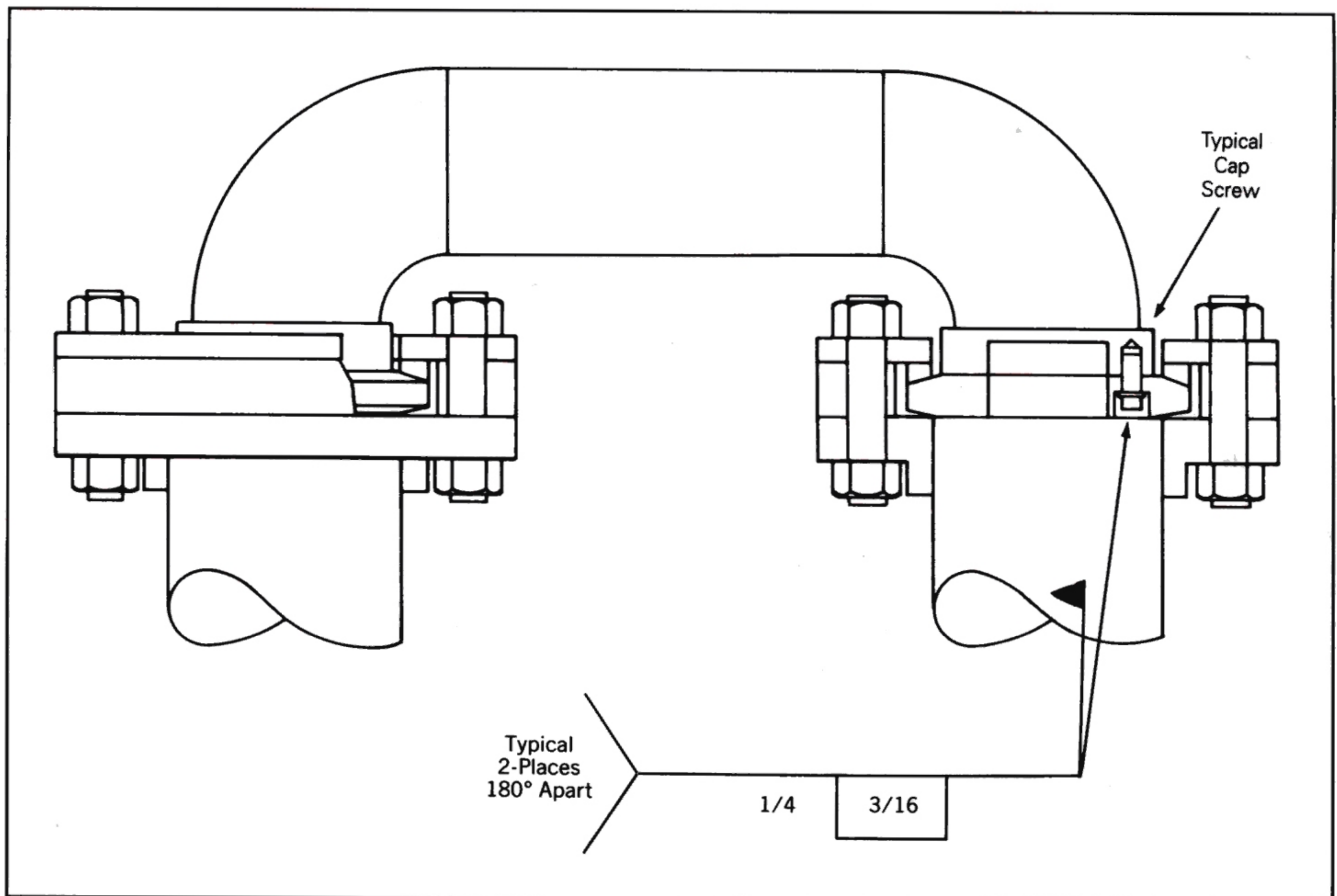


Figure 1 Sootblower spherical swivel joint assembly.

(continued on reverse side)

For more information in the U.S., call 1-800-BABCOCK (222-2625) or fax (216) 860-1886 (Barberton, Ohio). Outside the U.S., call (519) 621-2130 or fax (519) 621-2142 (Cambridge, Ontario, Canada). In Mexico, call (5) 208-1906 or fax (5) 533-5550. Or contact your nearest B&W sales or service office worldwide.

Akron, (Wadsworth), Ohio	Cincinnati, Ohio	Mexico City, Mexico
Ankara, Turkey	Dallas, Texas	Montreal, Quebec, Canada
Atlanta, Georgia	Denver (Lakewood), Colorado	New York, New York
Beijing, P.R.O. China	Edmonton , Alberta, Canada	Portland, Oregon (Vancouver, WA)
Birmingham, Alabama	Halifax (Dartmouth), Nova Scotia, Canada	Pune, India
Boston (Westborough), Massachusetts	Houston, Texas	Saint John, New Brunswick, Canada
Cambridge, Ontario, Canada	Jakarta, Indonesia	St. Petersburg, Florida
Charlotte, North Carolina	Kansas City, Missouri	San Francisco (Vacaville), California
Cherry Hill, New Jersey	Los Angeles (Los Alamitos), California	Vancouver (Richmond), British Columbia,
Chicago (Lisle), Illinois	Melville, Saskatchewan, Canada	Canada

*The information contained herein is provided for general information purposes only, and is not intended or to be construed as a warranty, an offer, or any representation of contractual or other legal responsibility. **Note: Deutsche Babcock AG and Babcock Energy Limited (U.K.), formerly licensees, are no longer affiliated with The Babcock & Wilcox Company.***